

BRIDGE PRESSURE SENSOR 236PC SERIES CHART 2

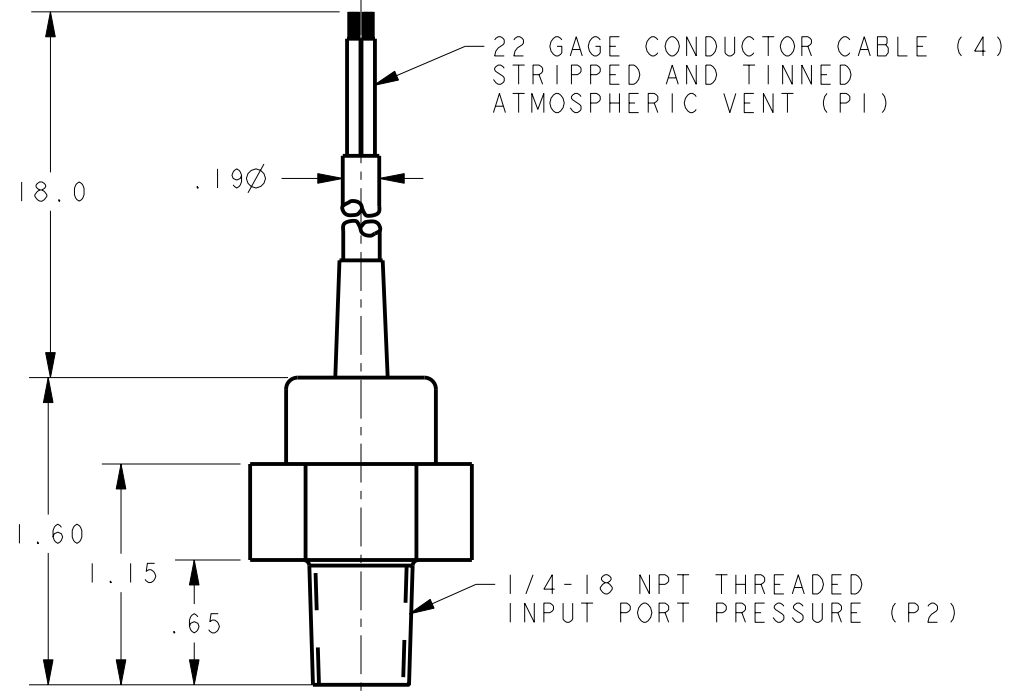
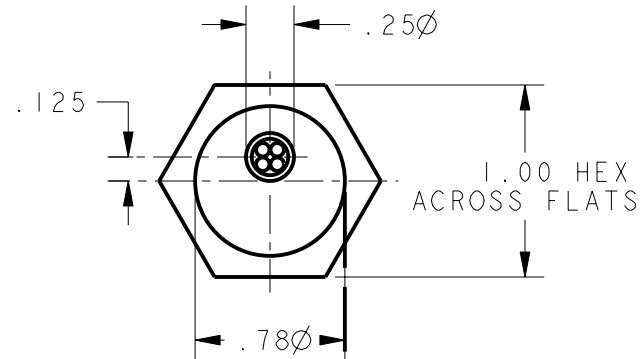
CATALOG LISTING

THIS DRAWING COVERS A PROPRIETARY ITEM AND IS THE PROPERTY OF MICRO SWITCH. A DIVISION OF HONEYWELL. THIS DRAWING IS NOT TO BE COPIED OR USED WITHOUT THE APPROVAL OF MICRO SWITCH

GENERAL OPERATING CHARACTERISTICS
(ELECTRICAL PERFORMANCE AT 10.0 ± 0.01 VDC EXCITATION, 25°C)

CATALOG LISTING
236PC60GW
236PC100GW
236PC150GW

PARAMETERS	PRESSURE RANGES (PSI)	MIN	TYP	MAX	UNITS
NULL OFFSET	ALL	-2	0	+2	MV
NULL SHIFT ² 0° < 25°C > 50°			±3.0		
SPAN ¹	0 TO 60G	58	60	62	
	0 TO 100G	98	100	102	
	0 TO 150G	58	60	62	
SENSITIVITY PER PSI	0 TO 60G		1.00		MV/PSI
	0 TO 100G		1.00		
	0 TO 150G		1.00		
SENSITIVITY SHIFT ² 0° < 25°C > 50° AT 10 VDC	ALL		±1.5		% SPAN
LINEARITY (P2 > P1) (BFSL)	0 TO 60G			±0.50	
	0 TO 100G			±0.50	
	0 TO 150G			±0.50	
REPEATABILITY & HYSTERESIS	ALL		±0.25		
STABILITY OVER 1 YEAR			±1.5		
EXCITATION VOLTAGE			10	16	VDC
INPUT RESISTANCE			6.8K		OHMS
OVERPRESSURE (P2 > P1)	0 TO 60G			100	PSI
	0 TO 100G			150	
	0 TO 150G			225	
TEMPERATURE STORAGE OPERATE COMPENSATED	ALL	-40° TO +105° C			
			-40° TO +221° F		
			-30° TO +70° C		
			-22° TO +158° F		
			0° TO +50° C		
					+32° TO +122° F



CATALOG LISTING 236PC SERIES CHART 2

PAGE 1 OF 1

ISSUE 7

REVISIONS

A 206541
GLH
20CT02

CHECK

CHECK

20CT02

SAV

CHECK

20CT02

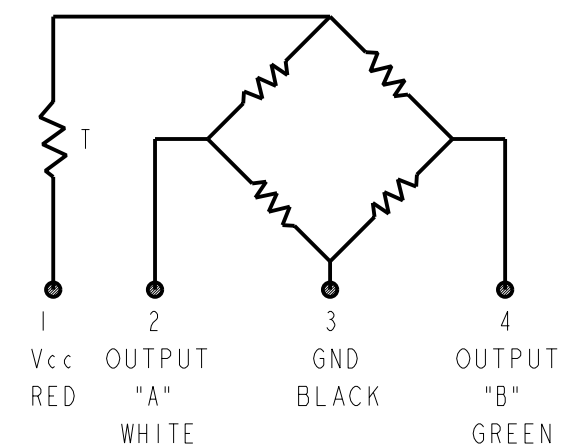
DRAWN

GLH

PTC/CAD 2D

- NOTES
- 1 SPAN IS THE ALGEBRAIC DIFFERENCE BETWEEN END POINTS (OUTPUT AT MINIMUM AND MAXIMUM PRESSURE)
 - 2 TEMPERATURE ERROR IS CALCULATED WITH RESPECT TO 25°C AND EXPRESSES THE DEVIATION THAT COULD OCCUR AS TEMPERATURE IS RAISED OR LOWERED TO LIMITS INDICATED
 - 3 PRESSURE MEDIUM CAN BE LIQUID OR GASEOUS, SO LONG AS IT DOES NOT REACT WITH SILICON, GLASS, 300 SERIES STAINLESS STEEL OR URETHANE BASED EPOXY

CIRCUIT DIAGRAM



OUTPUT "A"
INCREASES AS INPUT
PRESSURE INCREASES

OUTPUT "B"
DECREASES AS INPUT
PRESSURE DECREASES

THIRD ANGLE PROJECTION	
SCALE	FULL
DO NOT SCALE PRINT	
UNLESS OTHERWISE SPECIFIED TOLERANCES ARE	
ONE PLACE (.0)	±.030
TWO PLACE (.00)	±.015
THREE PLACE (.000)	±.005
ANGLES	±
WEIGHT	2.0Z